

**NOTES**

FOR ADDITIONAL INFORMATION ON GUARD RAIL, SEE STD. PLAN GR-200 AND GR-202.

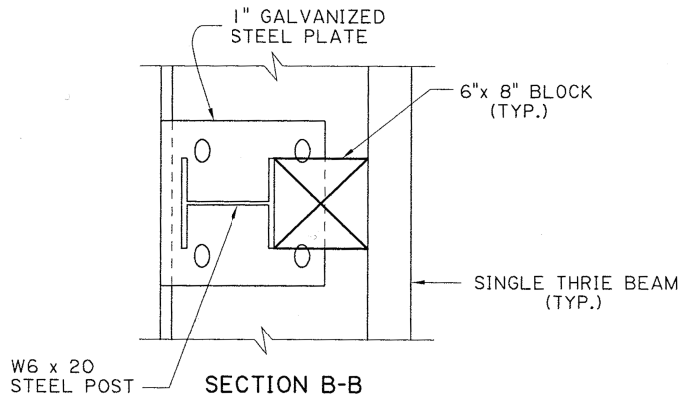
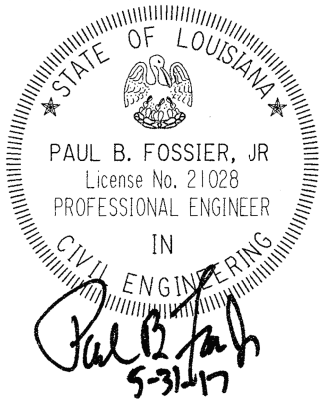
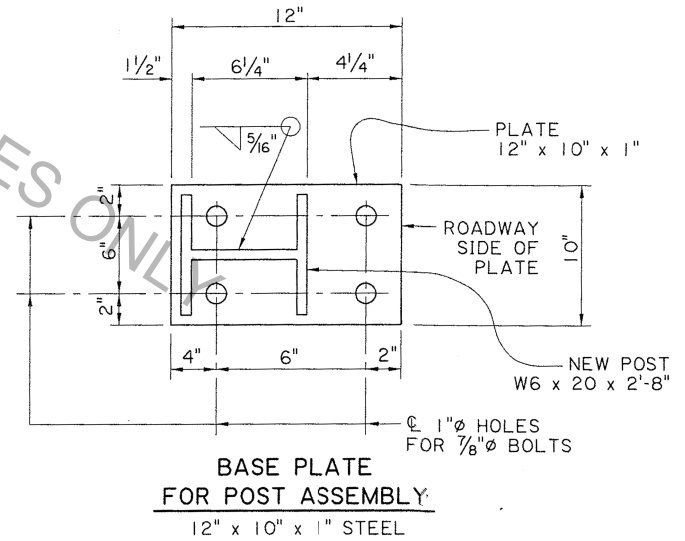
ALL WORK AND MATERIALS REQ'D. TO INSTALL GUARD RAIL ON BOX CULVERTS SHALL BE PAID FOR UNDER ITEM 704-01-01000 GUARD RAIL (SINGLE THRIE BEAM) (3'-1 1/2\"/>

GUARD RAIL SPLICES SHALL BE MADE AT POST LOCATIONS ONLY.

\*DRILL 1"  $\phi$  HOLES, 6" DEEP FOR 7/8"  $\phi$  GALVANIZED BOLT. USE 7/8" GALVANIZED NUT WITH GALVANIZED CUT WASHER.

ALL HOLES DRILLED INTO AN EXISTING CONCRETE STRUCTURE SHALL BE CLEANED WITH COMPRESSED AIR AND MADE FREE OF ANY OIL OR RESIDUE. HOLES SHALL BE FILLED WITH 7/8"  $\phi$  INJECTION SYSTEM AS LISTED ON APPROVED MATERIALS LIST, PRODUCT CATEGORY "CONCRETE ANCHOR SYSTEMS." PLACE BOLT IN HOLE IMMEDIATELY AND WAIT FOR MANUFACTURERS CURE TIME.

ALL STRUCTURAL STEEL SHALL BE ASTM A-36 AND GALVANIZED. ALL 5/8"  $\phi$  BOLTS SHALL BE ASTM A307.



	<b>TOP MOUNTED GUARD RAIL</b> (FOR BOX CULVERTS)			NO. _____ DATE _____	REVISION OR CHANGE ORDER DESCRIPTION _____	P.F. _____ BY _____	DESIGNED P. FOSSIER CHECKED C. GAUDRY	PARISH _____
	STANDARD OF DETAILS BD.2.6.4.1.02	4-8-16		GUARDRAIL HEIGHT, ANCHOR BOLT NOTE, & BASE PLATE	REVIEWED K. BRAUNER	CONTROL SECTION _____	STATE PROJECT _____	SHEET NUMBER _____